



High-dimensional fiber based quantum key distribution with twisted photons

Bacco, Davide; Cozzolino, Daniele; da Lio, Beatrice; Ingerslev, Kasper; Ding, Yunhong; Dalgaard, Kjeld; Kristensen, Poul; Galili, Michael; Rottwitt, Karsten; Ramachandran, Siddharth

Published in:

Proceedings of 8th International Conference on Quantum Cryptography

Publication date:

2018

Document Version

Peer reviewed version

[Link back to DTU Orbit](#)

Citation (APA):

Bacco, D., Cozzolino, D., da Lio, B., Ingerslev, K., Ding, Y., Dalgaard, K., ... Oxenløwe, L. K. (2018). High-dimensional fiber based quantum key distribution with twisted photons. In *Proceedings of 8th International Conference on Quantum Cryptography*

General rights

Copyright and moral rights for the publications made accessible in the public portal are retained by the authors and/or other copyright owners and it is a condition of accessing publications that users recognise and abide by the legal requirements associated with these rights.

- Users may download and print one copy of any publication from the public portal for the purpose of private study or research.
- You may not further distribute the material or use it for any profit-making activity or commercial gain
- You may freely distribute the URL identifying the publication in the public portal

If you believe that this document breaches copyright please contact us providing details, and we will remove access to the work immediately and investigate your claim.

High-dimensional fiber based quantum key distribution with twisted photons

Davide Bacco^{†1}, Daniele Cozzolino^{*1}, Beatrice Da Lio¹, Kasper Ingerslev¹, Yunhong Ding¹, Kjeld Dalgaard¹, Poul Kristensen², Michael Galili¹, Karsten Rottwitt¹, Siddharth Ramachandran³, Leif Katsuo Oxenløwe¹

¹ CoE SPOC, DTU Fotonik, Dep. Photonics Eng., Technical University of Denmark, Ørsteds Plads 340, Kgs. Lyngby, 2800 Denmark

² OFS-Fitel, Priorparken 680, DK-2605, Brøndby, Denmark

³ Electrical and Computer Engineering Department, Boston University, 8 St Mary's St, Boston, MA, USA

Emails: [†]dabac@fotonik.dtu.dk; ^{*}dacoz@fotonik.dtu.dk

Introduction

Quantum key distribution (QKD), a branch of Quantum Communications (QCs), provides ultimate security based on quantum mechanics laws [1, 2]. Essential challenges of most QKD systems are the relatively short propagation distances and the low transmittable bit rates. A fundamental way to overcome these issues is represented by high-dimensional (HiD) quantum states, which allow increased information capacity and higher robustness against channel noise. This higher information efficiency has the benefit of increasing the robustness to channel noise, resulting in an increased error threshold [3–5]. The generation, transmission and detection of high-dimensional quantum states is very challenging and only a few experimental realizations have been achieved for Hi-D QC protocols [6, 12]. Using the orbital angular momentum (OAM) of light is promising, as it provides a natural discrete Hi-D basis for quantum states [13]. However, OAM fiber transmission with more than two modes has only been used for classical communication so far [14]. We experimentally demonstrate the first transmission of Hi-D quantum states, encoded in four OAM modes and their superposition, over a 1.2 km long OAM fiber, by implementing a real-time decoy-state Hi-D QKD protocol, demonstrating the highest secret key rate and the longest transmission distance presented to date [15].

Generation, transmission and detection of the OAM quantum states

High-dimensional quantum states are suitable for longer transmission distance and higher secret key rate transmission, being more robust to noise level and allowing a higher channel capacity [3]. In Figure 1(a) we report the setup of the Hi-D decoy-state quantum communication protocol based on the spatial degree of freedom (OAM modes). Weak coherent pulses are polarization modulated through a phase modulator (PM) and subsequently vortex plates allow for the spin-orbit coupling. The quantum states are coupled to the fiber that enables conservation of orbital angular momentum modes (about 1dB/km losses). Due to different mode group velocities in the air-core fiber, a free-space delay (about 4.5 m) is implemented before coupling the weak pulses to the fiber. This delay is required in order to pre-compensate the different time-of-arrivals of the modes with $\ell = |6|$ and $\ell = |7|$. To detect the OAM quantum states the receiver (Bob) implements projective measurements to recover the encoded information. An OAM mode sorter is used to separate even and odd modes, in our case $\ell = |6|$ and $\ell = |7|$. The implemented mode sorter is a free-space MZI with two Dove prisms with a relative angle of 90° [16]. After the sorting process, the photons are converted back to the fundamental Gaussian mode with two other vortex plates and then conveniently separated according to their polarization. In particular, to measure the basis \mathcal{M}_0 , half-waveplates (HWPs), quarter-waveplates (QWPs) and two polarization beam-splitters (PBS) are adopted in the two arms of the sorter. In the case of \mathcal{M}_1 , a free-space MZI is required to measure the relative phase difference between the OAM modes. The photons are then detected by four InGaAs single photon detectors and registered by a time-tagger unit. The insertion loss attributed to Bob's detection system is measured to be 9 dB in receiver $|\psi_i\rangle$ and 10 dB in receiver $|\phi_j\rangle$ (from the output of the OAM fiber to the input of the detectors).

Results

In order to characterize the system, a quantum state tomography technique is implemented for dimension $D = 2$ and $D = 4$. Figure 2 shows the two matrices for the two cases, measured with weak laser pulses and mean photon number $\mu = (9.9 \pm 0.2) \times 10^{-3}$ for 1.2 km. Using the definition of fidelity $F(p, q) = \sum_i (p_i q_i)^{1/2}$, where $p(q)$ is a

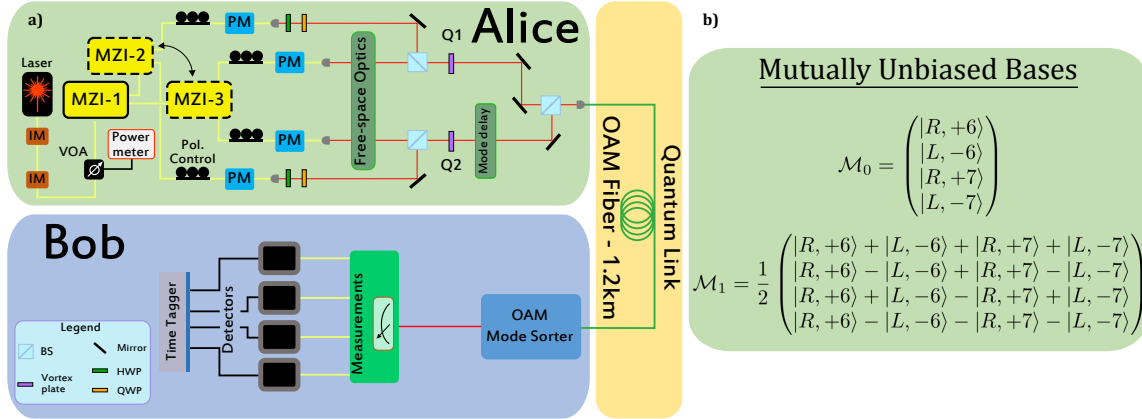


Fig. 1 a) Setup of the experiment. Fast Mach-Zehnder Interferometer (MZI) switches, controlled by a field programmable gate array (FPGA), allow the real-time preparation of the MUBs \mathcal{M}_0 and \mathcal{M}_1 . Only a single MZI is required to separately generate the two bases (dashed edges MZI). Note that, within each basis, the states are prepared in real-time mode. At the input of the MZI, we inject attenuated pulses, carved out of a continuous wave (CW) laser beam at 1550 nm by an intensity modulator (IM) driven by the same FPGA. A second IM is used to implement a three-intensities decoy-state technique for the QKD protocols. A variable optical attenuator (VOA) allows for reaching the quantum regime. The polarization of the quantum states is prepared by a phase modulator (PM). Two different voltages are chosen to yield diagonal and anti-diagonal polarizations at the output of the PM. Vortex plates with topological charge $L = +6$ and $L = +7$ (Q1, Q2) assign different OAM orders to the quantum states. The quantum states are then coupled into the air-core fiber. After the fiber transmission, an OAM mode sorter is implemented to separate even from odd modes ($L = |6|$ and $L = |7|$). Two other vortex plates are used to convert from OAM to Gaussian modes. After the OAM sorter, the quantum states are separated using their polarization. Four single photon detectors collect the events, which are registered by a time-tagger unit. **b) Mutually unbiased bases description.** The two MUBs used for the Hi-D QKD protocol are shown. The quantum states in \mathcal{M}_0 are called $|\psi_i\rangle$, whereas those in \mathcal{M}_1 are called $|\phi_j\rangle$.

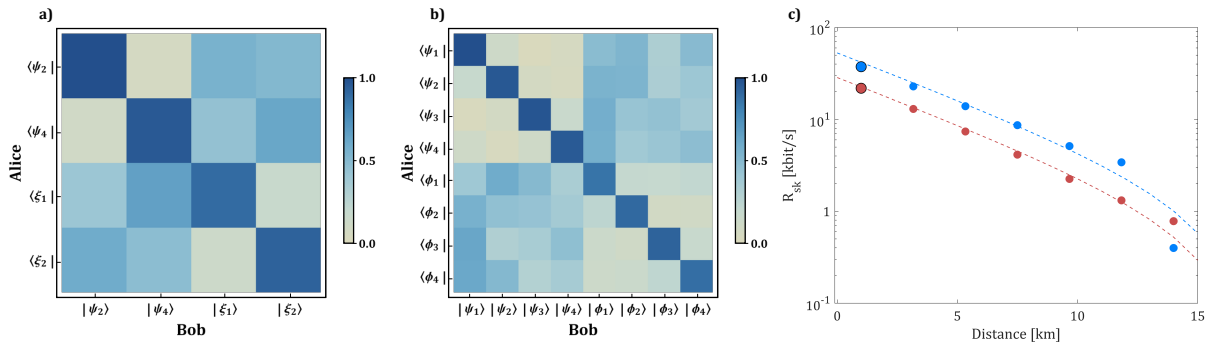


Fig. 2 a) Tomography measurement for 2D. Average fidelity measurement for 2 minutes is 0.980 ± 0.002 . Here the quantum states are defined as $|\xi_1\rangle = |\psi_2\rangle + |\psi_4\rangle$ and $|\xi_2\rangle = |\psi_2\rangle - |\psi_4\rangle$. **b) Tomography measurement for 4D.** The average fidelity measured over 5 minutes is 0.954 ± 0.004 . The measurements were acquired with a mean photon number value of $\mu = (9.9 \pm 0.2) \times 10^{-3}$. **c) Secret key rate as a function of the channel losses.** The first blue circle represents the rate measured after transmission through the 1.2 km fiber (37.43 kbit/s for 4D and 21.81 kbit/s for 2D), while the others are obtained by adding further channel losses with a VOA.

discrete probability distribution with elements p_i (q_i), we measure in average $F = 0.980 \pm 0.002$ for the qubit ($D=2$) and $F = 0.954 \pm 0.004$ in the ququart case. To demonstrate the usefulness of quantum communication through the air-core fiber using OAM states, we implement real-time 2D and 4D quantum key distribution protocols [2, 17]. Following the standard authentication process between Alice and Bob, Alice randomly switches between the two MUBs and modulates the secret key on the different states (two or four, depending on the dimension). Usually, one of the two bases provides the key and the other monitors the presence of an eavesdropper. After the transmission through the OAM-fiber, Bob decides in which of the two bases to project the quantum states. Photons measured in the wrong basis will be discarded during the sifting procedure. The protocol implemented can be considered as a BB84 with a three-intensities decoy-state method (μ, ν, ω) with dimensions $D = 2$ and $D = 4$. In Figure 2 c) we show the experimental secret key rate for $D = 2$ and $D = 4$ as a function of the channel loss. The first blue and first red circles are the experimental data measured after the propagation through 1.2 km fiber for 4D and 2D respectively. The following red and blue circles are measured data obtained by adding further channel loss with

a VOA. The experimental data fit the theoretical prediction (dashed lines), showing that the secret key extraction would be guaranteed by our protocol over a distance of ~ 14 km, with a secret key rate of 0.78 kbit/s and 0.40 kbit/s, for the 2D and 4D case respectively. We measure an average QBER of 6.7% for the states $|\psi_2\rangle$ and $|\psi_4\rangle$, and 7.9% for $|\xi_1\rangle$ and $|\xi_2\rangle$. Furthermore, in the case of high-dimensional encoding a QBER of 14.1% in the \mathcal{M}_0 basis and 18.1% in \mathcal{M}_1 is measured. The QBER values are obtained over ~ 7 minutes of measurement time and these values are below the individual and collective attack thresholds [15]. Positive secret key rates of 21.81 kbit/s ($D = 2$) and 37.43 kbit/s ($D = 4$) are obtained after the 1.2 km fiber. An enhancement of 71% in the final key rate is achieved by using high-dimensional encoding.

Conclusion In this work, we propose and demonstrate the use of twisted photons for fiber based high-dimensional quantum communication. We successfully prove the principle by sending two- and four-dimensional MUBs through 1.2 km of a special air-core fiber. These results represent a key point for the development of distributed quantum applications, proving that fiber based spatial modes protocols can be used for quantum communications.

Funding This work is supported by the Center of Excellence, SPOC-Silicon Photonics for Optical Communications (ref DNR123), by the People Programme (Marie Curie Actions) of the European Union's Seventh Framework Programme (FP7/2007-2013) under REA grant agreement n° 609405 (COFUNDPostdocDTU) and by the Office of Naval Research MURI program (N00014-13-1-0627) and the National Science Foundation (ECCS-1610190).

References

- [1] C. H. Bennett, G. Brassard, Quantum Cryptography: public key distribution and coin tossing, in Proceeding of IEEE International Conference on Computer, Systems & Signal Processing 175–179 (1984).
- [2] V. Scarani et al., The security of practical quantum key distribution. *Reviews of Modern Physics*, **81**(3), 1301–1350 (2009)
- [3] N. Cerf, et al., Security of Quantum Key Distribution Using d -Level Systems *Phys. Rev Lett.*, **88** (127902) (2002).
- [4] F. Bouchard, et al., High-dimensional quantum cloning and applications to quantum hacking, *Sci. Adv.*, **3** (2017).
- [5] N. T. Islam, et al., Provably secure and high-rate quantum key distribution with time-bin qudits, *Sci. Adv.*, **3** (2017).
- [6] Y. Ding, et al., High-Dimensional Quantum Key Distribution based on Multicore Fiber using Silicon Photonic Integrated Circuits, *npj Quantum Information* **3**:25 (2017).
- [7] D. Bacco, et al., Space division multiplexing chip-to-chip quantum key distribution, *Scientific Reports* **7**: 12459 (2017).
- [8] J. Wang, et al., Multidimensional quantum entanglement with large-scale integrated optics, *Science* **36**, 8075 (2018).
- [9] M. Mirhosseini, et al., High-dimensional quantum cryptography with twisted light, *New Journal of Physics*, **17** (2015).
- [10] A. Sit, High-dimensional intracity quantum cryptography with structured photons, *Optica* **4** (2017).
- [11] S. Etcheverry, et al., Quantum key distribution session with 16-dimensional photonic states, *Scientific reports* **3** (2013).
- [12] G. Cañas, et al., High-dimensional decoy-state quantum key distribution over multicore telecommunication fibers, *Phys. Rev. A*, **96**, 022317 (2017).
- [13] M. Erhard, et al., Twisted photons: new quantum perspectives in high dimensions, *Light: Science & Applications* **7.3** (2018).
- [14] N. Bozinovic, et al., Terabit-scale orbital angular momentum mode division multiplexing in fibers, *Science* **340.6140** (2013).
- [15] D. Cozzolino, et al., Fiber based high-dimensional quantum communication with twisted photons, *arXiv:1803.10138* [quant-ph] (2018).
- [16] J. Leach, et al., Measuring the orbital angular momentum of a single photon, *Physical review letters* **88.25** (2002).
- [17] X. Ma et al., Practical decoy state for quantum key distribution, *Phys. Rev. A*, **72**(1), 012326 (2005)